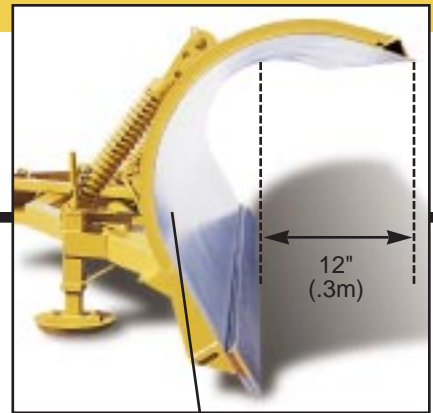


# Falls® Power Reversible Plows

Rigid and trip blade units for use at all operating speeds.  
Recommended for airports, highways, city streets and rural roads.  
For use on trucks, motor graders and wheel loaders.

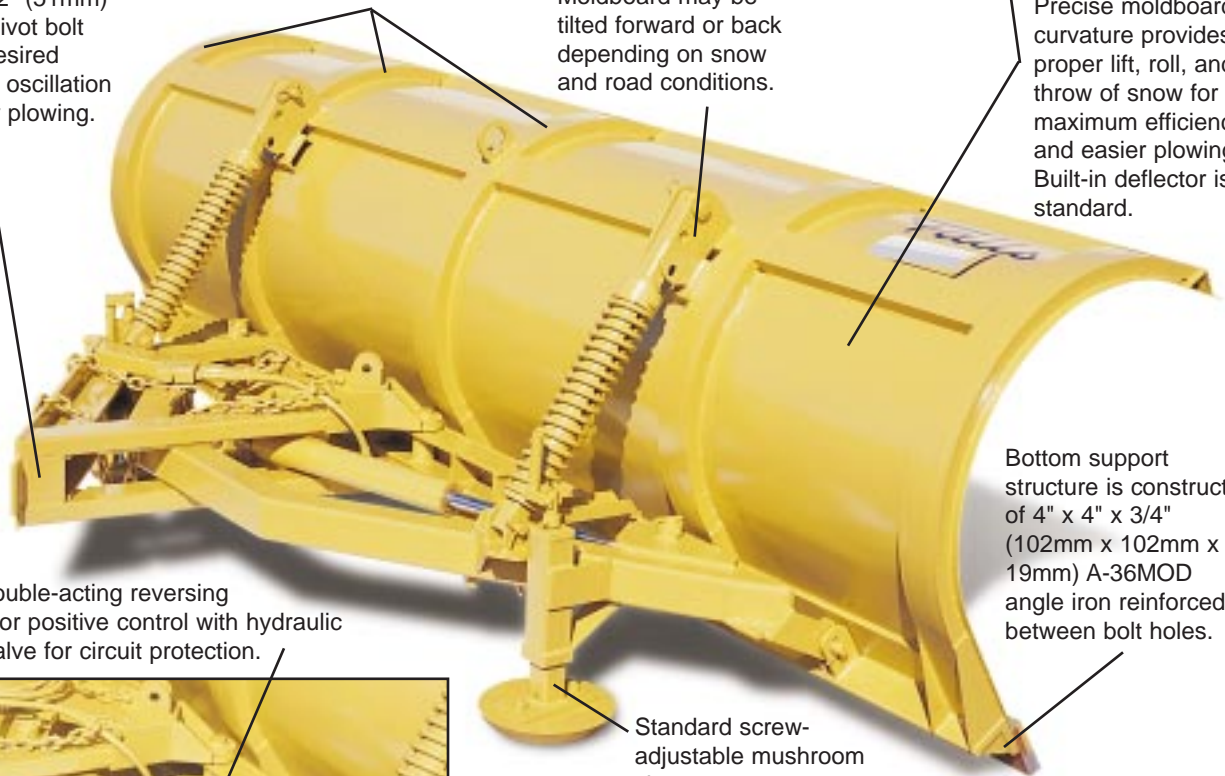


Precise moldboard curvature provides proper lift, roll, and throw of snow for maximum efficiency and easier plowing. Built-in deflector is standard.

A-frame push plate is double tubular construction. Standard push bars or quick coupler plow units attach to push plate with 2" (51mm) diameter pivot bolt allowing desired snow plow oscillation for cleaner plowing.

Five (5) rolled heavy channel iron ribs provide maximum rollboard rigidity. Horizontal channel braces reinforce transverse stability.

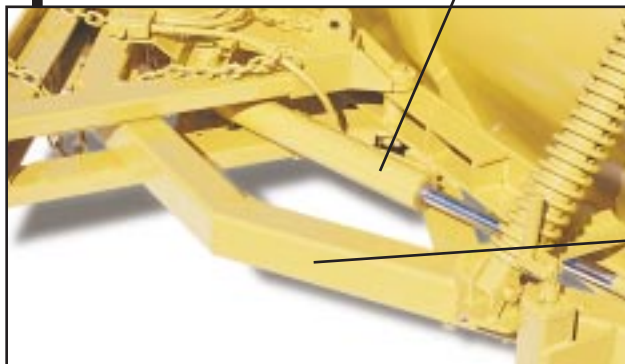
Moldboard tilt feature. Moldboard may be tilted forward or back depending on snow and road conditions.



Bottom support structure is constructed of 4" x 4" x 3/4" (102mm x 102mm x 19mm) A-36MOD angle iron reinforced between bolt holes.

Two (2) double-acting reversing cylinders for positive control with hydraulic cushion valve for circuit protection.

Standard screw-adjustable mushroom shoes.



Heavy-duty reversing push frame distributes plowing stresses across the entire length of the moldboard.

Optional slotted trip (shown) or compression spring trip tilting bars.



# Specifications

## Power Reversible Plow

MODEL	PR1043	PR1143	PR1243	PR1255
Cutting Width @ 0 degrees @ 35 degrees	10' 0" (3.05m) 8' 2" (2.49m)	11' 0" (3.35m) 9' 0" (2.74m)	12' 0" (3.66m) 9' 10" (3m)	12' 0" (3.66m) 9' 10" (3m)
Moldboard Height	43" (1.09m)	43" (1.09m)	43" (1.09m)	55" (1.4m)
Moldboard Ribs	Five (5) Rolled Heavy Channel Iron			
Moldboard Thickness	10 ga.(3mm) A607-50 Steel			7 ga.(5mm) A607-50
Snow Deflectors	Standard — Built-in			
Cutting Edge (AASHO punch)	5/8" x 6" x 10'	5/8" x 6" x 11'	5/8" x 6" x 12'	5/8" x 6" x 12'
Spring Trip Assemblies	2	2	2	Optional
Approx. Weight, plow & hyd-reverse	1800 lbs. (818 kg)	1900 lbs. (863 kg)	2000 lbs. (909 kg)	2200 lbs. (1,000 kg)
Approx. Total Weight w/hitch assembly	2250 lbs. (1,022 kg)	2350 lbs. (1,068 kg)	2450 lbs. (1,114 kg)	2650 lbs. (1,205 kg)

Also available are models PR1443, PR1455, & PR1655. Prices and specifications on request only.

**POWER REVERSE** – Infinite adjustment from 0 – 35 degrees, left or right. Two heavy-duty, double acting cylinders provide smooth adjustment with the moldboard raised or lowered or while under full load. The high pressure construction (8,000 psi min. burst) enable the cylinders to withstand normal plowing stresses. A cushion valve (standard equipment) protects the cylinders and the hydraulic circuits from sudden impact or surge.

**TRIP MECHANISM** – Compression spring-loaded tilting bars or slotted trip assemblies allow the plow to "trip" over unavoidable road hazards and return to normal plowing position. Especially recommended in urban applications.

The Falls Reversible Snow Plows are built to the same standards of quality and workmanship as the famous Falls One-Way and V-type Snow Plows. Durability and performance are synonymous with the Falls brand equipment. Falls equipment is built to withstand the use and abuse that owners of this type of equipment demand and must have.

YOUR DEALER IS:

The policy and promise of Little Falls Machine, Inc. is continuing product improvement. Design change and structural alterations may occur without prior notice. Such changes will no sacrifice quality or product integrity.

*Falls® is a registered trademark of Little Falls Machine, Inc.  
Little Falls Machine, Inc. is an equal opportunity employer.*



**LITTLE FALLS MACHINE, INC.**

300 Lindbergh Drive South  
Little Falls, MN 56345  
Phone 800-772-PLOW  
(320) 632-9266  
Fax (320) 632-3484  
www.fallsplovs.com