



# NEW! ULTRA



J-Craft's newly redesigned Ultra body is built stronger, cleaner, smarter, and ready for whatever the job site throws at it. Available in square or elliptical styles, Ultra gives you the look and performance you expect, now with the added strength of press-formed components and no external horizontal welds for a cleaner exterior and longer-lasting paint. The new 87/99 standard width increases body coverage over the tires and delivers an approximate 6% gain in yardage without increasing body length.

Constructed from high-strength steel, the Ultra provides exceptional durability without excess weight. Whether you choose the smooth-side square body or the rugged elliptical floor design, each option is built to haul with confidence. The elliptical package features a generous side-to-floor radius that reduces impact stress and helps material release easily. And with our single-panel tailgate, available with air high-lift or double-link upper hinges, dumping into pavers, chip spreaders, and tight jobsite conditions is quick, clean, and efficient.



Additional features:

- Bolt-in torque tube
- Sight Window
- Rubber front body isolators
- Trimline Trunnion Doghouse

	ULTRA
Lengths:	10' - 22'
Side heights:	26" - 70"
Tailgate style:	Single-panel smooth (check with sales team)
Floor material:	Grade 50 A1011 Steel, AR450 or Stainless Steel
Side material:	Grade 50 A1011 Steel, AR450 or Stainless Steel
Front material:	Grade 50 A1011 Steel, AR450 or Stainless Steel
Rear material:	Grade 50 A1011 Steel, AR450 or Stainless Steel
Body capacity:	5 - 24 cubic yards
Side style:	Square or elliptical

\*\*Some specs may still require our traditional Ultra design. Contact J-Craft Sales for details.



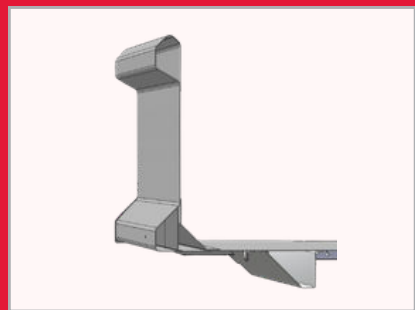
**NO EXTERIOR HORIZONTAL WELDS**  
Stronger, cleaner, longer-lasting exterior built with formed AR Steel



**45° CLEANOUTS**  
Reduce material hang-ups with angled corners for cleaner, faster dumping.



**EASY ACCESS GREASE POINTS**  
Grease upper hoist blocks easier from remote grease points for safer maintenance.



**FULLY FORMED AR STEEL SIDE PANELS**